

KVM-1700 Series

19" 1U Rackmount KVM with 17" TFT LCD



Features

- Meets EIA310c & IEC-3 Specifications
- One Set Built-in Keyboard, Touch Pad, Monitor and KVM Switch
- Anti-glare Tempered Glass for Added Protection to the LCD Screen
- Membrane Keyboard in 105 Keys, with Touch Pad
- Built-in Rail Self-locking Device
- Support DOS, Windows OS, Netware, SCO Unix, HP Unix, Linux
- Easy PC Selection via On Screen Display Manual

Specifications

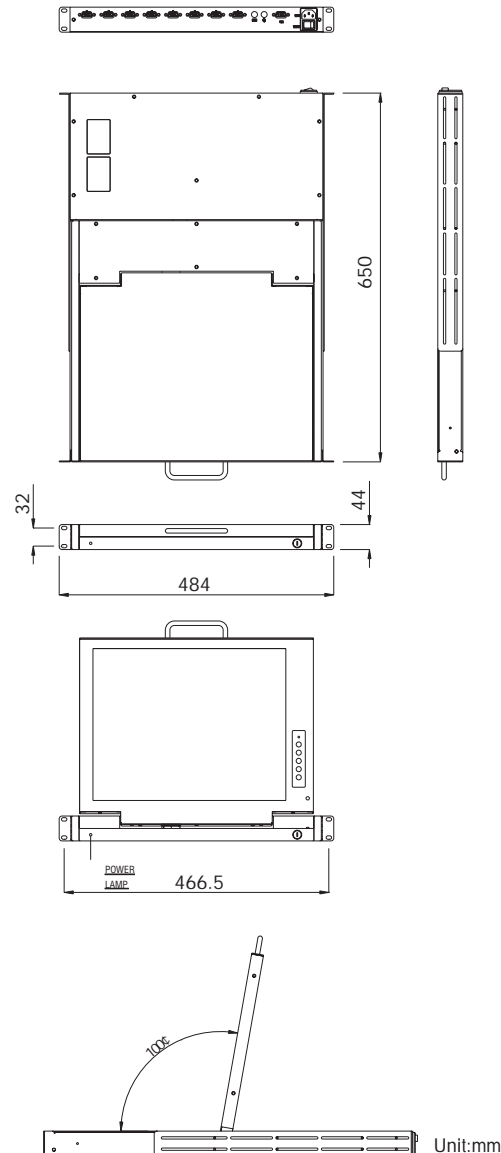
Model Name	KVM-1710	KVM-1730	KVM-1740
LCD	17" TFT LCD 1280 x 1024		
Pixel	0.264 x 0.264 mm		
Contrast Ratio	350 : 1		
Color	16.2M colors		
Luminance (cd/m2)	300		
KVM Switch	1 port	8 port	16 port
Dimension (W x D x H)	484 x 535 x 44 mm	484 x 650 x 44 mm	484 x 650 x 44 mm
Weight	15kg	16kg	16kg
Construction	Heavy-duty steel chassis		
Color	Black		
Voltage Input	100 ~ 240V, 50-60Hz, 1.5A		
Backlight MTBF	50,000hrs under 25 ± 5°C		
Regulation	FCC, CE		
Operating Temp.	0 ~ 40°C (32 ~ 104°F)		

Max. PC Connection up to 128 set with extra KVM Switch Box (1 port KVM switch is not included)

Ordering Information

KVM-1710	19" 1U Rackmount KVM with 17" TFT LCD 1 port switch
KVM-1730	19" 1U Rackmount KVM with 17" TFT LCD 8 port switch
KVM-1740	19" 1U Rackmount KVM with 17" TFT LCD 16 port switch

Dimensions



Unit:mm