



KVM-1500 Series

19" 1U Rackmount KVM with 15" TFT LCD



Features

- Meets EIA310c & IEC-3 Specifications
- One Set Built-in Keyboard, Touch Pad, Monitor and KVM Switch
- Anti-glare Tempered Glass for Added Protection to the LCD Screen
- Membrane Keyboard in 105 Keys, with Touch Pad
- Built-in Rail Self-locking Device
- Support DOS, Windows OS, Netware, SCO Unix, HP Unix, Linux
- Easy PC Selection via On Screen Display Manual

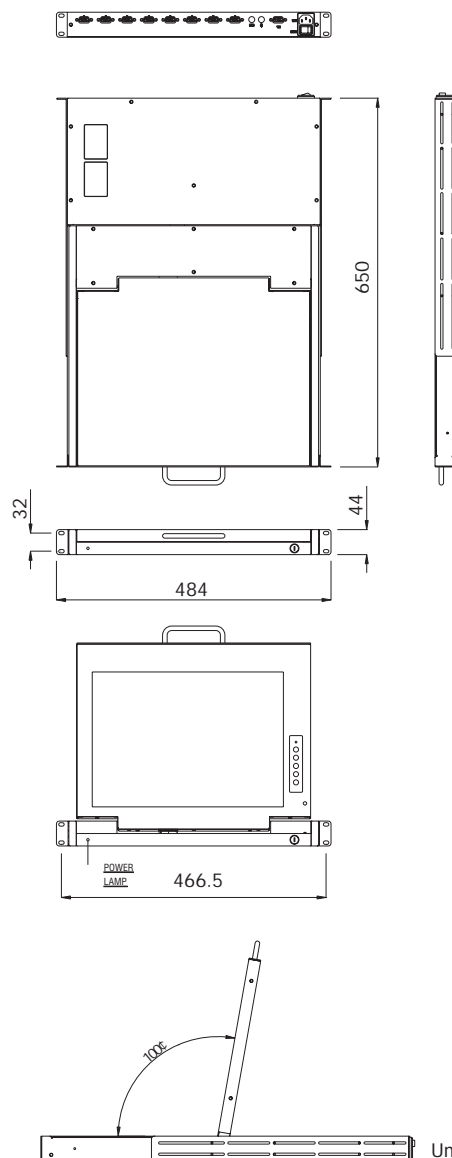
Specifications

Model Name	KVM-1510	KVM-1530	KVM-1540
LCD	15" TFT LCD 1024 x 768		
Pixel	0.297 x 0.297 mm		
Contrast Ratio	300 : 1		
Color	262K colors		
Luminance (cd/m²)	200		
KVM Switch	1 port	8 port	16 port
Dimension (W x D x H)	484 x 535 x 44 mm	484 x 650 x 44 mm	484 x 650 x 44 mm
Weight	14kg	15.2kg	15.2kg
Construction	Heavy-duty steel chassis		
Color	Black		
Voltage Input	100 ~ 240V, 50-60Hz, 1.5A		
Backlight MTBF	50,000hrs under 25 ± 5°C		
Regulation	FCC, CE		
Operating Temp.	0 ~ 40°C (32 ~ 104°F)		
Max. PC Connection up to 128 set with extra KVM Switch Box (1 port KVM switch is not included)			

Ordering Information

KVM-1510	19" 1U Rackmount KVM with 15" TFT LCD 1 port switch
KVM-1530	19" 1U Rackmount KVM with 15" TFT LCD 8 port switch
KVM-1540	19" 1U Rackmount KVM with 15" TFT LCD 16 port switch

Dimensions



Unit:mm

All specifications are subject to change without notice.